

Electronic Balances

TX/TXB/TW Series



TX

series

▶ 4200.00g

Clearly visible even in dark places

TX/TW

series

▶ 420.000g

Capable of performing delicate jobs



TX2202L, TX3202L, TX4202L



TX223L, TX323L, TX423L, TW223L, TW323L, TW423L

Wider applications ranging from smaller to larger objects



Value with no compromise



TXB

series

▶ 6200.0g

Taking on weighing tasks everywhere

TXB

series

▶ 620.00g

Reliable partner that creates weighing desires



TXB2201L, TXB4201L, TXB6201L, TXB6200L



TXB222L, TXB422L, TXB622L, TXB621L

Light, strong, high-quality design
can be operated by batteries



Performance to allows quick
weighing of smaller objects anywhere
Creates weighing enjoyment



TX/TXB/TW Series

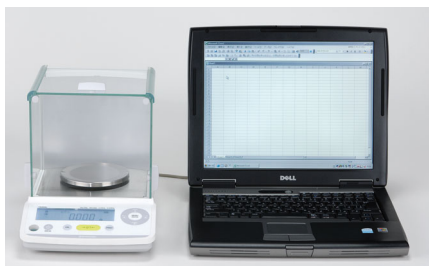
Look, Touch



WindowsDirect Communication Function Only a cable is needed to send weighing data to a computer

TX / TW
TXB

Send balance data to Excel or other Windows applications without any data communication software installation required. All you have to add is one RS-232C cable. By combining standard AutoPrint functions with typical spreadsheet functions, even difficult applications can be easily automated. If you'd like to use "WindowsDirect" with "Windows 7", "Windows Vista", or USB port, please contact to our distributors.



Comparator function

TX / TW
TXB

Compare samples to target values or pass/fail criteria and clearly indicate the results.

RS-232C interface

TX / TW
TXB

All models include standard RS-232C interface for easy integration with other devices and computers.

Expanded Piece Counting function

TX / TW
TXB

Unit weights of up to 5 different samples can be easily entered, stored and recalled for use.



Power saving function

TX / TW
TXB

When weighing operation ends, power automatically turns off after a fixed or pre-set time.

Fast and flexible calibration

TX / TW
TXB

Balance display provides prompts for the calibration procedure and accepts your choice of external calibration weight.

Many useful functions included

TX / TW
TXB

- Alpha-numeric menu display
- Up-front level indicator on display panel
- Simplified door cleaning
- Stainless steel pan
- Choice of weighing modes
- Zero tracking function and settings
- Continuous data output function



Can be used anywhere with battery power

TXB

Power the TXB series balances by AC adapter or batteries.

Streamlined design for anti-theft options

TX / TW
TXB

Industry-standard Kensington Security Slot accommodates the widest variety of optional anti-theft security devices.

Change among many weighing units and functions with a single touch

TX / TW
TXB

In addition to grams (g), weigh in %, number of pieces, ct, kg, mg, lb, oz, TTI, etc. or a custom conversion unit, more than 20 units in all. Change quickly from display of % or counting to gram weight (g) display.

The beginning of the new standard



New

Easy Setting

Best fit to weighing application **TX / TW**
TXB

Quickly adjust the desired ratio of stability and response for every application, even during measurement, with one-touch operation.

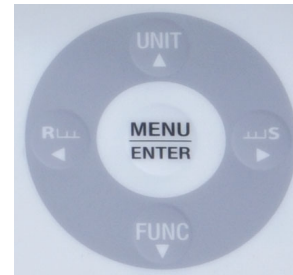


New

Menu Operation Key

Easy-to-operate key layout **TX / TW**
TXB

Menu navigation keys are separated from weighing operation keys and arranged in a familiar 5-way navigation circle. Up, Down, Right, Left and Enter are the simple operational steps.



New

Touch-key Internal Calibration **TW**

Press just two keys to calibrate the balance whenever calibration is necessary. Calibration is very fast, taking only 15 sec.

Durable, high-performance aluminum alloy mass sensor

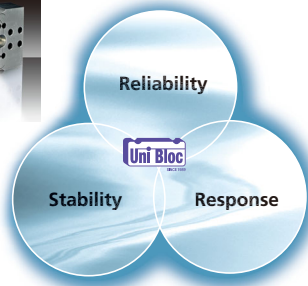
UniBloc Since 1989 **TX / TW**

The TX/TW series incorporates a one-piece aluminum alloy mass sensor technology (UniBloc), first introduced by Shimadzu for precision balances in 1989. It excels in performance, and resists deterioration and damage by ordinary impacts. The UniBloc's compact, uniform structure replaces 70 parts found in a conventional electromagnetic balance sensor assembly and ensures stable temperature characteristics, excellent response time and stable corner-load performance.

The UniBloc design permits a consistency of production that assures reliability and a long operational life.

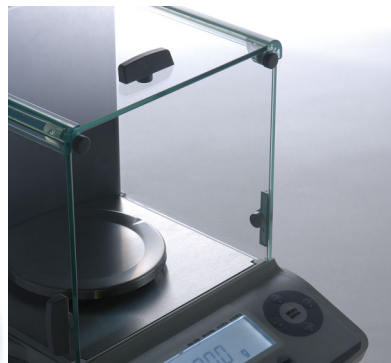


3 Benefits of UniBloc.



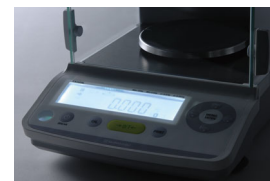
Fine measurements are assured with sliding glass door windbreak system **TX / TW**

TX/TW models with 1mg minimum display feature a sliding glass door type windbreak as standard configuration. The highly transparent system includes semi-transparent corners and maximum door opening capability.



Illuminated display provides comfortable display visibility in all settings. **TX / TW** **TXB**

A liquid crystal indicator with an attractive light blue backlight is standard on all models. The TXB series has an additional power-saving feature: the backlight automatically shuts off when idle and lights up again when weighing operations resume.



Specifications

TX/TW series

Model	TX223L / TW223L	TX323L / TW323L	TX423L / TW423L	TX2202L	TX3202L	TX4202L
Capacity	220 g	320 g	420 g	2200 g	3200 g	4200 g
Minimum Display	0.001 g	0.001 g	0.001 g	0.01 g	0.01 g	0.01 g
Repeatability	0.001 g			0.01 g		
Linearity	±0.002 g			±0.02 g		
Operating Ambient Temperature (°C)	5–40					
Temperature Coefficient Sensitivity (ppm/°C) (10–30°C)	±3					
Pan Size (mm) approx.	ø110			167(W) × 181(D)		
Main Body Dimensions (mm) approx.	206(W) × 291(D) × 241(H)			200(W) × 291(D) × 80(H)		
Weight (kg) approx.	TX: 3.8 kg TW: 4.2 kg			2.8 kg		
Power Requirements	12V, 1A					

TXB series

Model	TXB222L	TXB422L	TXB622L	TXB2201L	TXB4201L	TXB6201L	TXB621L	TXB6200L
Capacity	220 g	420 g	620 g	2200 g	4200 g	6200 g	620 g	6200 g
Minimum Display	0.01 g			0.1 g				1 g
Repeatability	0.01 g			0.1 g				1 g
Linearity	±0.01 g	±0.02 g		±0.1 g	±0.2 g		±0.1 g	±1 g
Operating Ambient Temperature (°C)	5–40							
Temperature Coefficient Sensitivity (ppm/°C) (10–30°C)	±15	±10	±5	±15	±10	±5	±20	
Pan Size (mm)	ø110			ø160			ø110	ø160
Main Body Dimensions (mm) approx.	199(W) × 260(D) × 77(H)							
Weight (kg) approx.	1.5 kg							
Power Requirements	12V 1A or 6AA batteries							

TX/TXB/TW series options

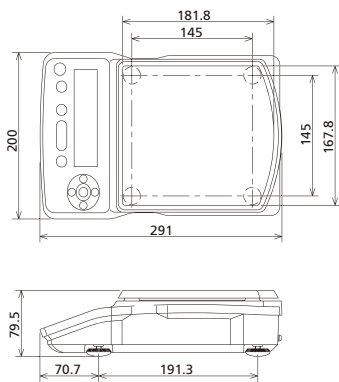
Description
Printer EP-80
Printer EP-90
RS-232C cable
In-use protective cover
In-use protective cover for display

Extremely capable,
but easy to operate

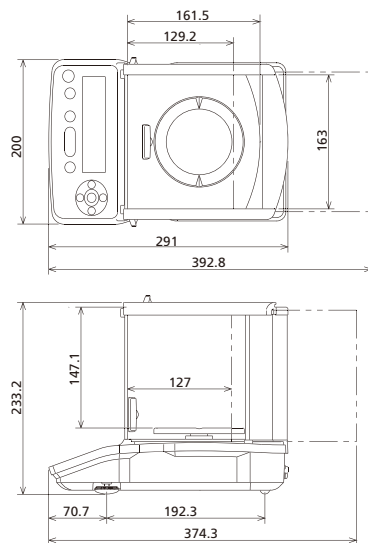


Dimensions

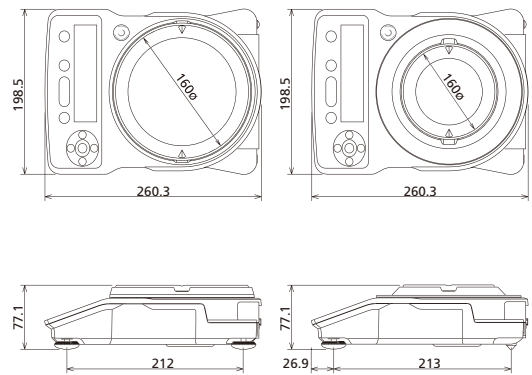
TX series (large pan)



TX/TW series (small pan)



TXB series



Unit: mm



Shimadzu Corporation
www.shimadzu.com/an/

Company names, product/service names and logos used in this publication are trademarks and trade names of Shimadzu Corporation or its affiliates, whether or not they are used with trademark symbol "TM" or "®".
Third-party trademarks and trade names may be used in this publication to refer to either the entities or their products/services. Shimadzu disclaims any proprietary interest in trademarks and trade names other than its own.

For Research Use Only. Not for use in diagnostic procedures.
The contents of this publication are provided to you "as is" without warranty of any kind, and are subject to change without notice. Shimadzu does not assume any responsibility or liability for any damage, whether direct or indirect, relating to the use of this publication.